

CVARTS* ClearView Split Drape with Clear Anesthesia Screen

(66350 depicted)



1. Locate and orient the body stamp on the drape with the patient and remove the adhesive strip liners clockwise.



2. Center drape on the patient's chest with the top of the fenestration at or above the sternal notch.



3. Unfold the drape laterally. Then toward the patient's head to form an anesthesia screen, extending the armboard covers during the process.



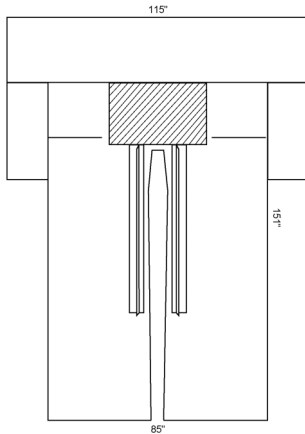
4. Remove the adhesive strip liner as you continue to unfold the tails of the U-shaped split toward the patient's feet. Conform the tails to the patient's legs to complete draping.



5. Notice the Perfusion Tubing pockets with clipping tabs that extend the entire length of the drape.



6. An additional tube holder located at the top of the drape may be used as desired.



Features

- Armboard Covers
- 115" x 85" x 151"
- 4" x 7" 97" Adhesive Split
- Instrument Pad
- Perfusion Tubing Pockets, with Clipping Tabs

Draping Hints

- Use of a Bilateral Underleg/Perineal Drape prior to key drape can help to eliminate the need for extra drapes under patient's legs and over perineum.
- If desired, tails of U-shaped split may be adhered to the table alongside the legs or tucked under the patient's feet.

Stock

Description

Items Per Case

66350

CVARTS* ClearView Split Drape with Clear Anesthesia Screen, Sterile, 1 per package

6

77350 ♦

CVARTS* ClearView Split Drape with Clear Anesthesia Screen, Non-Sterile, Bulk Pack

7

♦ Except as noted, all non-sterile products are for custom trays and available only through your custom tray supplier.

† As with any drape or pack recommendation, it is the hospital's decision as to the selection of the appropriate draping technique.

Pack Stock #
66510

Description
CVARTS* ClearView Cardiovascular Pack

Packs/Case
2

Component Stock #

Sterile	Non-Sterile ♦	Contents:
	79701	1 Back Table Cover, Reinforced, 70" x 110"
95111	70111	1 ULTRA Surgical Gown, Large, in Overwrap with Towel
92043	70243	2 MICROCOOL* Surgical Gowns, X-Large with Towels
89601	79601	1 Mayo Stand Cover, Reinforced, 23" x 54"
89731	79731	8 Utility Drapes, 26" x 15", with Tape
69253		2 ANKLE GUARD* Shoe Covers
		1 Suture Bag
89453	79453	1 CVARTS* Bilateral/Underleg Perineal Drape, 84" x 80"
66350	77350	1 CVARTS* ClearView Split Drape, 115" x 85" x 151" with Clear Anesthesia Screen <ul style="list-style-type: none">• Armboard Covers• 4" x 7" x 97" Adhesive Split• CONTROL* PLUS Fabric Reinforcement• Instrument Pad• Perfusion Tubing Pockets, with Clipping Tabs
89121	79121	1 Large Drape, 60" x 76"

♦ Except as noted, all non-sterile products are for custom trays and available only through your custom tray supplier.

Copyright 2002 Kimberly-Clark Corporation. All Rights Reserved. Your visit to this site and use of the information hereon is subject to the terms of our Legal Statement. *Registered Trademark or Trademark of Kimberly-Clark Corporation or its affiliates.