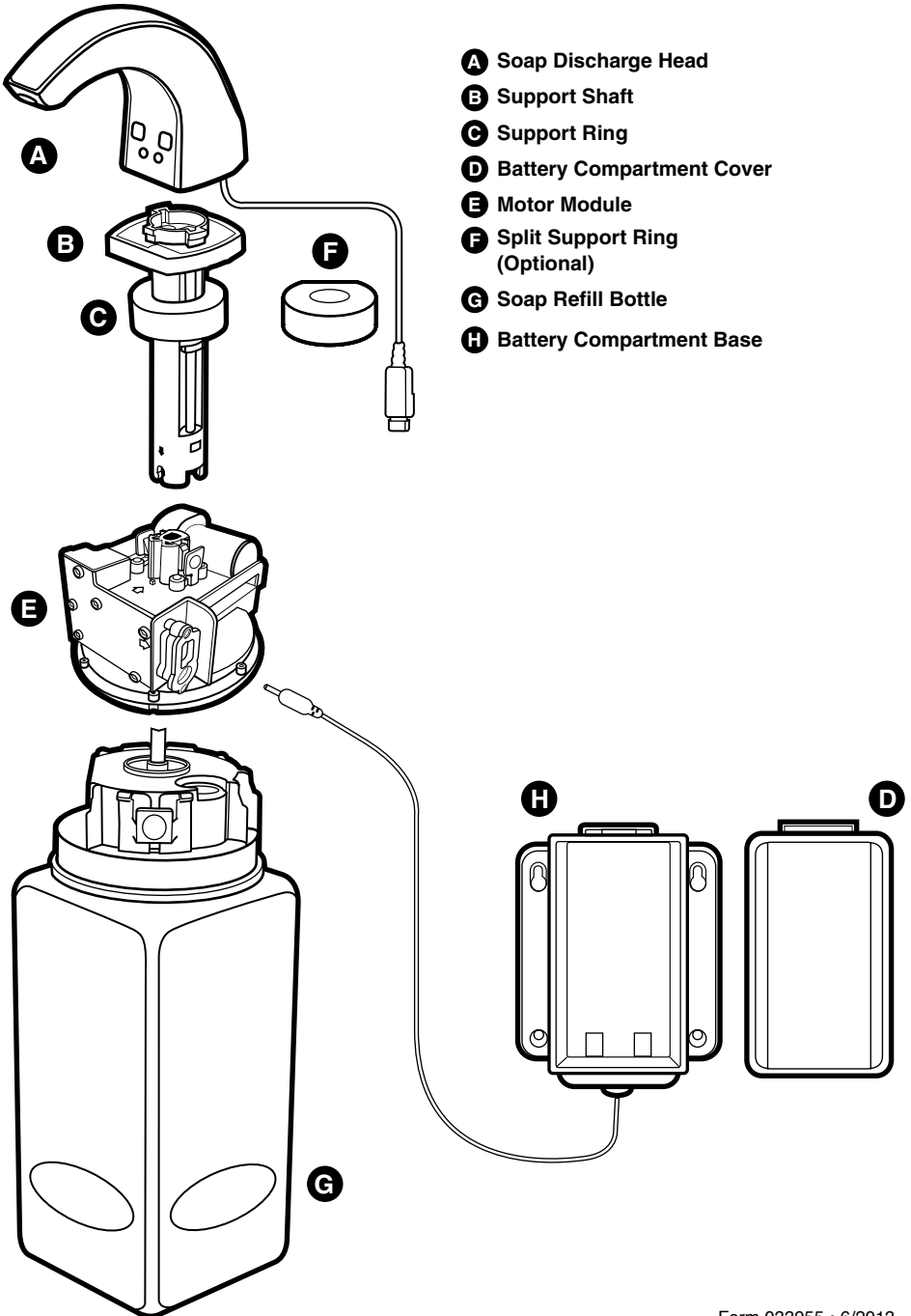


Installation Instructions for the Electronic SURETOUCH* Foam Soap System

IMPORTANT! For secure mounting, follow instructions thoroughly.



Dispenser Installation

- Materials Required:**
- Power Driver
 - Phillips Bit
 - Phillips Screwdriver
 - Cutting Fluid
- 1" Diameter Hole Saw (*Diamond Bit for Granite or Stone*)
 - Clear Silicone Caulk
 - Safety Glasses
 - Magic Marker

Note: If drilling of the countertop is required, be sure to use an approved KC Installer or other trained professional.

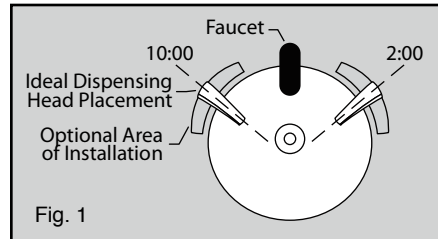


Fig. 1

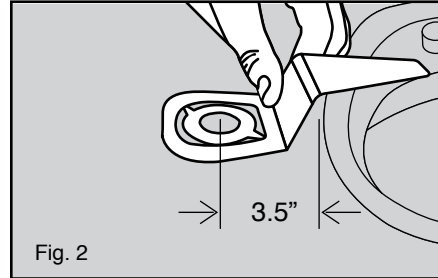


Fig. 2

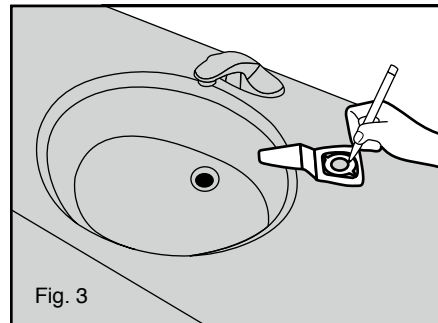


Fig. 3

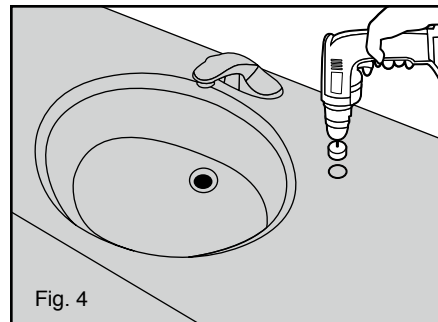


Fig. 4

1. If a 1" hole already exists on the countertop, go to step 6.
2. If drilling a new hole, it is recommended the hole be away from the faucet, preferably in the 10 o'clock or 2 o'clock position (see figure 1).
3. Use the plastic template provided to determine the appropriate position from the sink's edge, based on what is under the countertop, the hole should be drilled. Note the maximum dimension from the center of the hole to the edge of the sink is 3.5 inches (see figure 2).
4. Once the location is determined, trace the 1" diameter hole using a marker (see figure 3).
5. Drill a 1" diameter hole in the marked location (see figure 4). Clean the area around the hole so it is free of debris.

IMPORTANT – Use the proper drill bit for your surface and use cutting fluid to cool the bit during drilling.

6. Insert the support shaft thru the hole in the countertop (see figure 5).

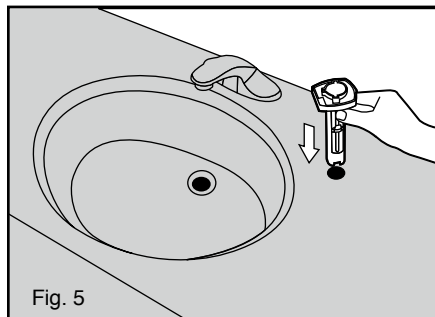


Fig. 5

7. Rotate the support shaft so the arrow points toward the sink (see figure 6).
8. Remove the adhesive liner from the plastic support ring and from the underside of the countertop, slide it thru the support shaft and push it until up until it sticks to the underside of the countertop (see figure 7).

Note: If the support ring will not sit flush with the underside of the countertop due to interference with the sink, use the optional split support ring provided instead.

9. Break away the center portion of the plastic template and discard the piece removed (see figure 8).
10. Place the plastic template over the support shaft. Rotate the support shaft until the exact location of the soap discharge head is reached. Remove the template and discard (see figure 9).

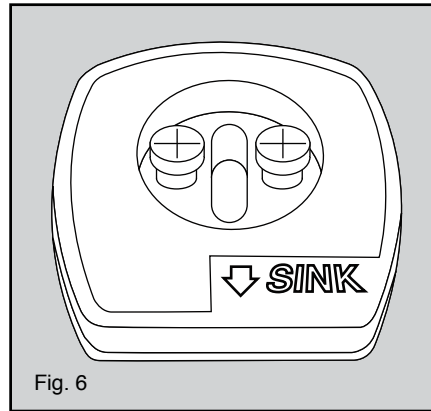


Fig. 6

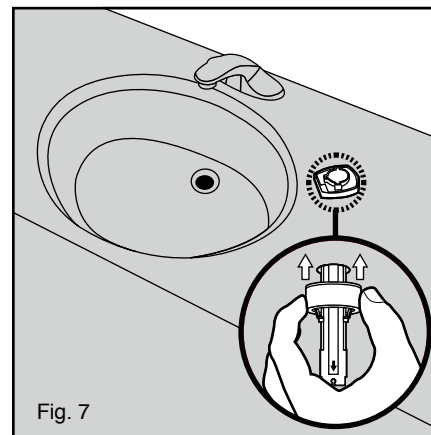


Fig. 7

11. **IMPORTANT** – Using a Phillips bit in a power driver, tighten at full speed the 2 screws on the support shaft until the plastic heads break away. Remove the remains of the white plastic heads from the support shaft (see figure 10).

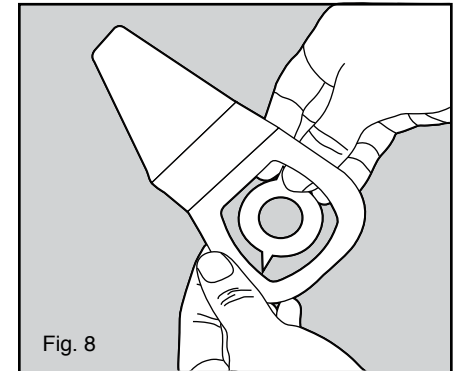


Fig. 8

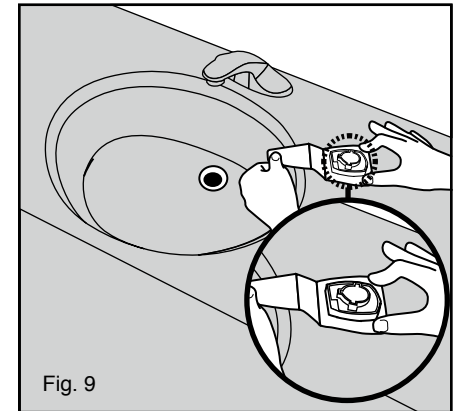


Fig. 9

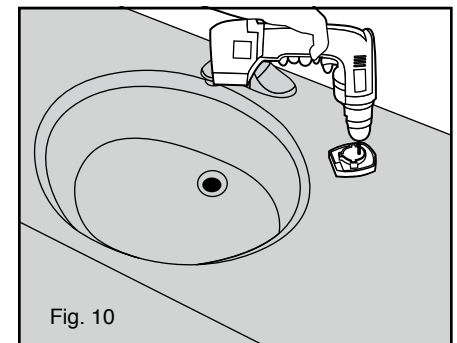


Fig. 10

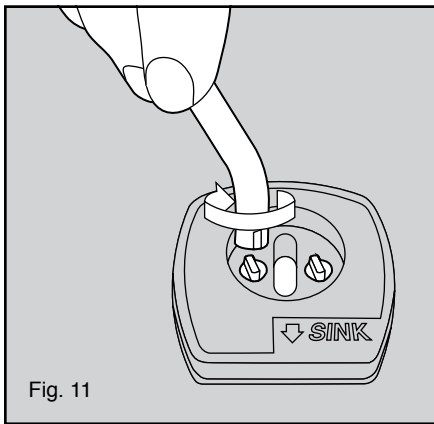


Fig. 11

12. Use the hand tool provided to complete the tightening of the support shaft. Tighten in a clockwise direction (see figure 11).
13. Push the signal cable attached to the soap discharge head thru the opening in the support shaft (see figure 12).
14. Align the notches on the bottom of the soap discharge head with the tabs on the support shaft (see figure 13).
15. Rotate the soap discharge head counter-clockwise until the tab on the soap discharge head is aligned with the rear tab on the support shaft (see figure 14).
16. **IMPORTANT** – Using the Allen wrench provided, tighten the set screw clockwise on the back of the soap discharge head until it is tight. The head of the set screw should be flush to below the surface of the soap discharge head. (see figure 15).
17. **IMPORTANT** – Apply a bead of clean silicone caulk around the perimeter of the support shaft / head assembly (see figure 16).

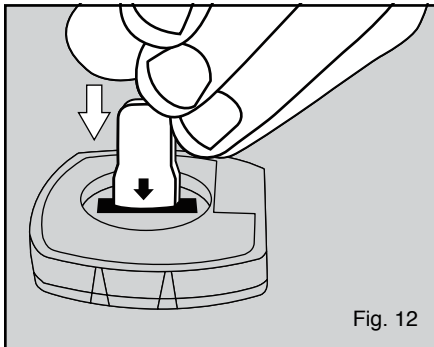


Fig. 12

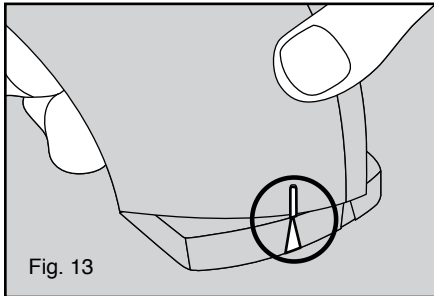


Fig. 13

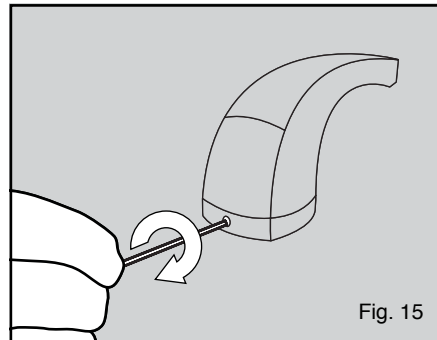


Fig. 15

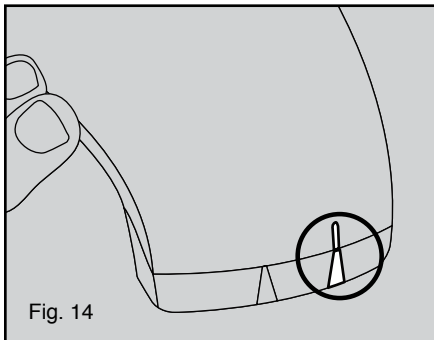


Fig. 14

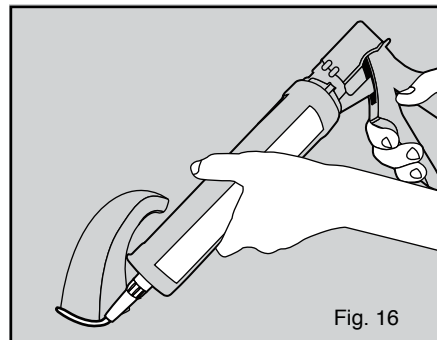


Fig. 16

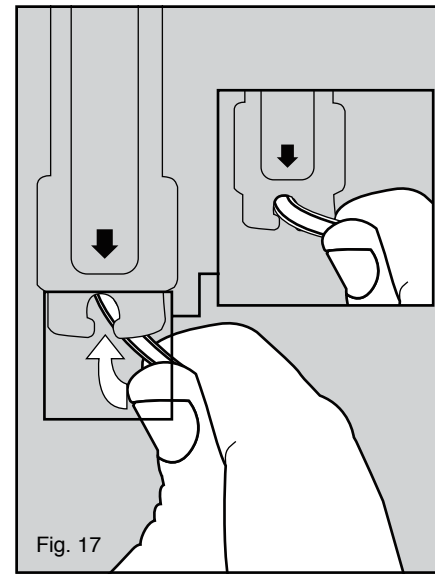


Fig. 17

18. Position the clear tube on the signal cable into the notch on the bottom of the support shaft (see figure 17).
19. Remove the protective cap on the signal cable plug. Align the yellow arrow on the signal cable plug with the yellow arrow on the motor module receptacle (see figure 18).
20. Push the signal cable plug into the motor module receptacle. The connection is secured when the yellow arrow on the signal cable plug is no longer visible (see figure 19).
21. Align the orange arrow on the motor module with the orange arrow on the support shaft. Push the motor module up until BOTH snaps lock into place (see figure 20).

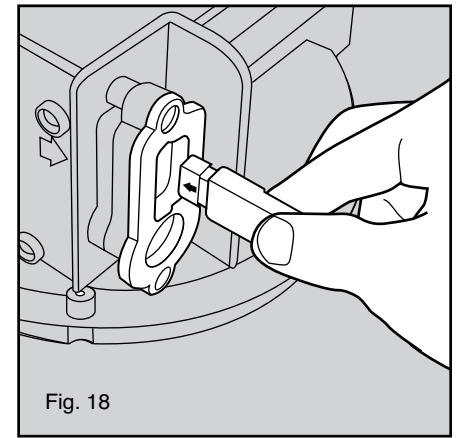


Fig. 18

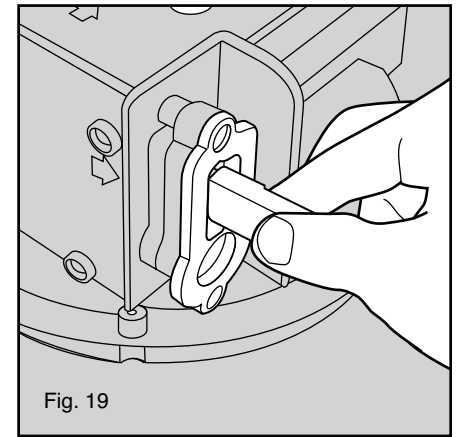


Fig. 19

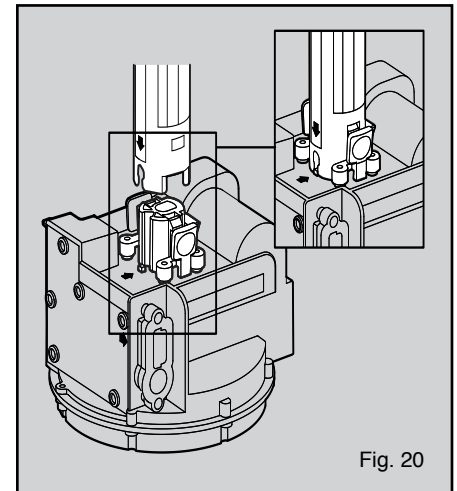


Fig. 20

22. Push the battery compartment cover onto the battery compartment base until both the top and bottom of the cover snap into place (see figure 21).

Note: The batteries are already loaded in the battery compartment cover.

23. Install the assembled battery compartment to the back or side wall under the countertop using screws (included) or double sided tape (not included). Position it no further than 32" from the motor module (see figure 22).

Note: The red and yellow lights on the bottom of the soap discharge head should begin to blink, indicating proper installation. If the lights do not flash, refer to the Troubleshooting Guide.

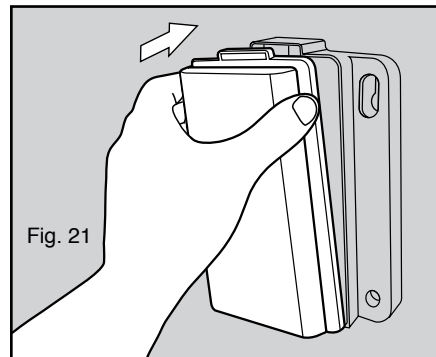


Fig. 21

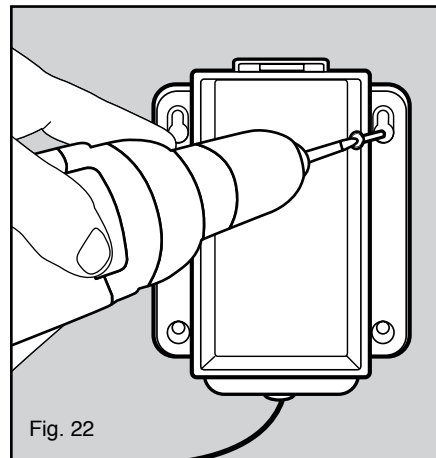


Fig. 22

24. Install the power cable plug into the power receptacle on the motor module (see figure 23).

Note: To change batteries, push the key fully into the top of the assembled battery compartment (see figure 24) then grip the battery compartment cover and pull it away from the battery compartment base (see figure 25). Load new batteries and then repeat step 22.

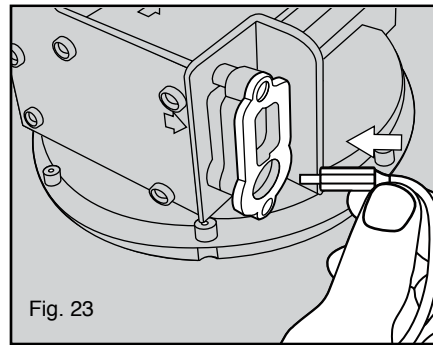


Fig. 23

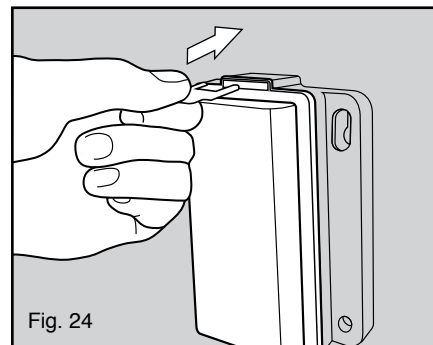


Fig. 24

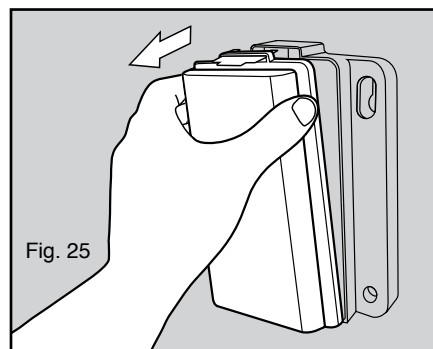


Fig. 25

6

Soap Refill Bottle Installation and Removal

1. Slip the straw into the underside of the motor module (see figure 26).
2. Push the refill bottle flush to the motor module until both snaps are secure (see figure 27).

Note: The red and yellow lights on the bottom of the soap discharge head should stop blinking, indicating proper installation. If the lights continue to flash, refer to the Troubleshooting Guide.

3. Prime the pump by placing one hand under the soap discharge head to activate the motor. Repeat 4 to 5 times until a consistent shot of foam soap is discharged (see figure 28).
4. To remove an empty refill bottle, squeeze the release tabs ① on the top of the refill and slide the bottle down ② and out (see figure 29).

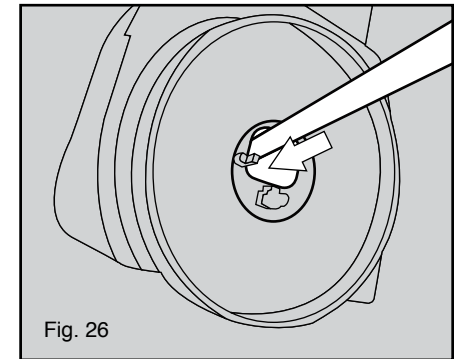


Fig. 26

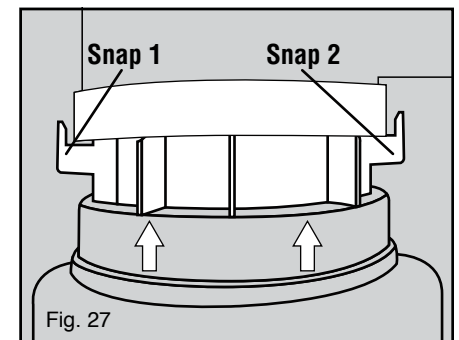


Fig. 27

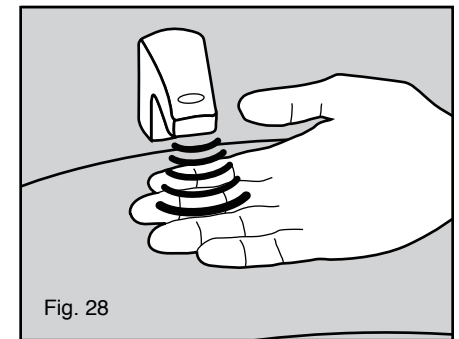


Fig. 28

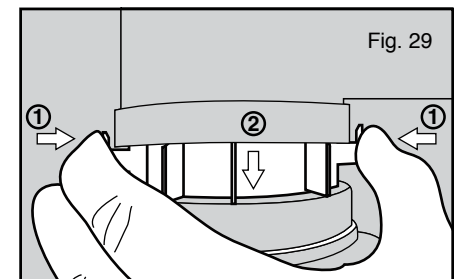
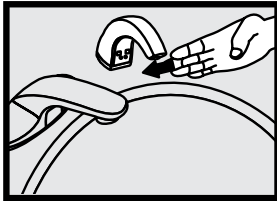


Fig. 29

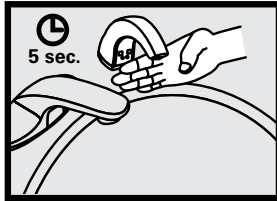
7

IMPORTANT

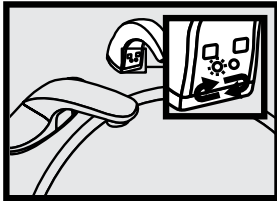
Instructions to temporarily deactivate 11331 & 34829 dispensers to permit sink/dispenser cleaning.



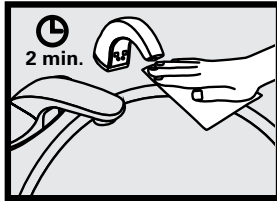
1. Place hand under dispenser.



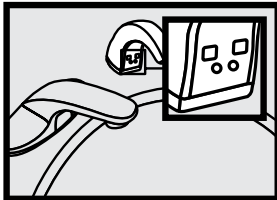
2. Hold hand under dispenser for 5 seconds, soap will dispense 1 time.



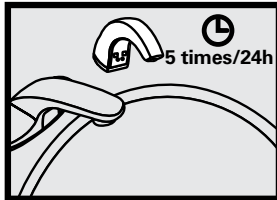
3. After 5 seconds the LED's will alternate blinking, remove hand.



4. The dispenser will remain deactivated for 2 minutes to allow for cleaning.



5. After 2 minutes the LED's will stop blinking and the dispenser will be active.



NOTE: The dispenser can be deactivated for cleaning up to 5 times in a 24 hour period.

LED INDICATORS:

There are several indicator LED's on the soap discharge head which are used as follows:

Yellow LED (Low Product) – The yellow LED will begin to flash slowly (1 time every second) when the soap refill has between 50 and 90 shots of soap remaining.

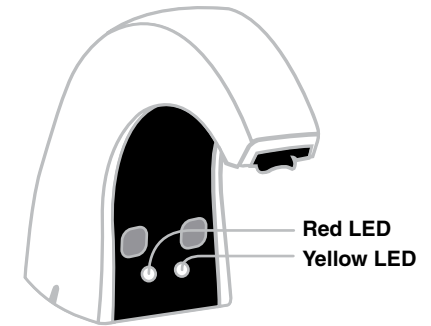
Red LED (Low Battery) slow flash – The red LED will begin to flash slowly (1 time every second) when battery power remaining is sufficient for approximately 500 additional shots of soap.

Red LED (Low Battery) rapid flash – The red LED will begin to flash rapidly (4 times every second) when battery power is not sufficient to activate the dispenser. Replace batteries.

Red LED (Motor Short) – The red LED will begin to flash 2 times every second. Reboot the dispenser by disconnecting and reconnecting the power.

Note:

- When power is supplied to the system prior to installing a soap refill, the red and yellow LED will flash, indicating a good power connection has been established. It will continue to flash until a soap refill is installed.
- When a soap refill is properly loaded into the dispenser the red and yellow LED will stop flashing indicating the refill is properly installed.



SENSOR RANGE:

The motor module contains a 2 position switch which allows for sensing range adjustment as follows:

Short Range – Delivers optimum performance in situations where inadvertent soap dispensing occurs on the long range setting. An example being when soap dispenser and the faucet are in close proximity. Top switch setting.

Long Range – Delivers optimum performance and fast response time. Bottom switch setting (factory pre-set).

Sensing Range Short



Sensing Range Long



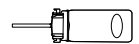
REFILL SELECTION:

The motor module contains a 2 position switch that must be set to the proper refill size being used.

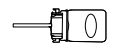
1500ML – Slide switch to the top (factory default)

800ML – Slide switch to the bottom

1500 ML



800 ML



Troubleshooting Guide

Problem	Cause	Correction
Support shaft does not fit into countertop.	Hole in countertop too small.	Drill out hole to 1" minimum diameter.
Support shaft still loose after tightening.	Plastic screw head broke prematurely.	Use tool provided to manually tighten the support fasteners.
Signal cable plug from soap discharge head does not fit into receptacle on motor module.	Protective cap on signal cable plug not removed.	Remove protective cap.
	Plug not properly aligned.	Align the yellow arrows.
Motor modules does not snap into the support shaft.	Cable not positioned properly.	Push the cable into the support clip at the bottom of the support shaft.
	Motor module not properly aligned.	Align the orange arrows of the support shaft to the motor module.
	Obstruction under the countertop.	Relocate obstruction.
Red and yellow LED does not flash when power is connected.	Batteries not installed properly.	Check orientation of batteries in battery compartment.
	Power cable plug not fully seated in receptacle.	Insure power cable plug is fully seated.
Red and yellow LED continues to flash when soap refill is installed.	Refill not properly installed.	Remove the refill and re-insert insuring both snaps fully engage.
Soap does not dispense when activated.	Pump not primed.	Activate unit for 4 to 5 times to prime the pump.
	Refill discharge tube damaged.	Check refill discharge tube for cuts or kinks. Replace refill if needed.
	Batteries not properly installed.	Check battery alignment.
	Refill is empty.	Replace empty refill with a full one.
	Motor short.	Reboot the dispenser by disconnecting and reconnecting the power.

Troubleshooting Guide (continued)

Problem	Cause	Correction
Soap does not dispense when activated. <i>(continued)</i>	Batteries can no longer activate the dispenser (Red LED flashing 4 times per second).	Replace batteries.
	Signal cable from discharge head damaged.	Replace discharge head.
	Water contamination on motor module.	Replace motor module. Insure discharge head is properly secured tightly to countertop. Insure to seal the support shaft to the countertop with silicone caulk.
Yellow LED flashing on soap discharge head.	Low soap level.	Soap will run out in 30 to 90 shots, replacement is recommended.
Red LED flashing slowly (1 time per second).	Low battery level.	Battery power will run out in approximately 500 shots.
Red LED flashing rapidly (4 times per second).	Batteries can no longer activate the dispenser.	Replace batteries.
Inadvertent soap dispensing.	Sensor range too long.	Move sensor switch to low.
Soap shot is all liquid instead of foam.	Refill is defective.	Replace refill.
Red LED flashing (2 times per second).	Motor short.	Reboot the dispenser by disconnecting and reconnecting the power.
Existing hole in counter not 1".		Call your representative for direction.
Low product LED illuminated with a lot of soap still in refill	Incorrect refill selection switch setting	Move refill selection switch to 1500ML (top position)
Low product LED never illuminated and refill is empty	Incorrect refill selection switch setting	Move refill selection switch to 800ML (bottom position)

Americans with Disabilities Act (For use in U.S. only): Title III of the Americans with Disabilities Act ("ADA") governs, in detail, the placement and operation of dispensers. You should ensure that your mounting and use of dispensers complies with that law as well as the regulations issued under that statute. The mounting suggestions in this document may or may not fulfill the obligations of the ADA with respect to your facility.

Ley de protección de discapacitados (aplicable sólo en EE.UU.). El Artículo III de la Ley de protección de discapacitados, ADA (*Americans with Disabilities Act*) regula en detalle la instalación y el funcionamiento de distribuidoras. Asegúrese que la instalación y las disposiciones de uso de la distribuidora cumplan con esta ley y los reglamentos correspondientes derivados de ella. Es posible que las instrucciones de instalación aquí descritas cumplan o no con las disposiciones de la ADA dependiendo de las características de su construcción.

Loi concernant les Américains handicapés : Le titre III de l'*Americans with Disabilities Act* (« ADA ») (Loi concernant les Américains handicapés) régit, de façon détaillée, l'emplacement et le fonctionnement des boîtes distributrices. Vous devez veiller à ce que votre méthode de pose et d'utilisation des boîtes distributrices soit conforme à la loi, de même qu'aux règlements y afférents. Les suggestions relatives à la pose qui figurent dans le présent document peuvent répondre ou non aux exigences de l'ADA dépendant du type d'installation.

KIMBERLY-CLARK CORPORATION DISCLAIMS LIABILITY FOR PERSONAL INJURIES OR PROPERTY DAMAGES RESULTING FROM INSTALLATION NOT PERFORMED BY KIMBERLY-CLARK.

KIMBERLY-CLARK CORPORATION RECHAZA TODA RESPONSABILIDAD POR LESIONES PERSONALES O DAÑOS Y PERJUICIOS DEBIDOS A INSTALACIONES NO REALIZADAS POR KIMBERLY-CLARK.

KIMBERLY-CLARK CORPORATION DÉCLINE TOUTE RESPONSABILITÉ POUR LES BLESSURES PERSONNELLES OU LES DOMMAGES À LA PROPRIÉTÉ RÉSULTANT D'UNE INSTALLATION N'AYANT PAS ÉTÉ EFFECTUÉE PAR KIMBERLY-CLARK.

KIMBERLY-CLARK CORPORATION HAFDET NICHT FÜR DURCH EINE INSTALLATION ENTSTANDENE PERSONEN- BZW. SACHSCHÄDEN, WENN DIESE VON ANDEREN ALS VON KIMBERLY-CLARK DURCHGEFÜHRT WURDE.

KIMBERLY-CLARK CORPORATION AANVAARDT GEEN AANSPRAKELIJKHEID VOOR LICHAAMELIJK LETSEL OF MATERIËLE SCHADE DIE VOORTVLOEIT UIT EEN NIET DOOR KIMBERLY-CLARK UITGEVOERDE INSTALLATIE.

KIMBERLY-CLARK CORPORATION ESCLUDE LA PROPRIA RESPONSABILITÀ PER DANNI ALLA PERSONA O A PROPRIETÀ DERIVANTI DA OPERAZIONI DI INSTALLAZIONE NON EFFETTUATE DA KIMBERLY-CLARK.

КОМПАНИЯ KIMBERLY-CLARK CORPORATION СНИМАЕТ С СЕБЯ ОТВЕТСТВЕННОСТЬ ЗА ТЕЛЕСНЫЕ ПОВРЕЖДЕНИЯ ИЛИ УЩЕРБ ИМУЩЕСТВУ, ЯВЛЯЮЩИЕСЯ РЕЗУЛЬТАТОМ УСТАНОВКИ, ВЫПОЛНЕННОЙ НЕ КОМПАНИЕЙ KIMBERLY-CLARK.

A KIMBERLY-CLARK CORPORATION DECLINA QUALQUER RESPONSABILIDADE POR LESÕES PESSOAIS OU DANOS MATERIAIS RESULTANTES DE INSTALAÇÃO NÃO EFETUADA PELA KIMBERLY-CLARK.