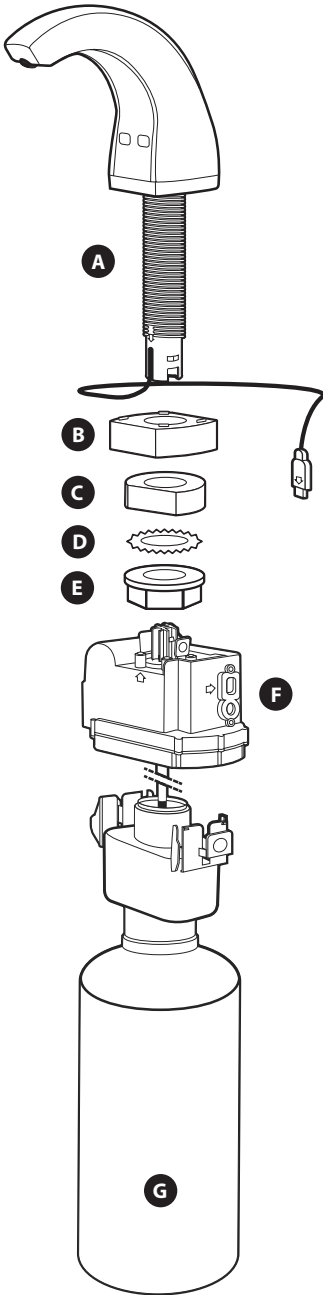
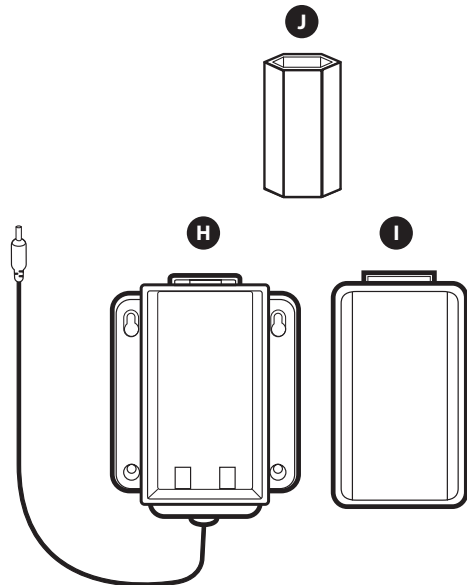


Installation Instructions for the Electronic SURETOUCH* Foam Soap System: Code 40836

IMPORTANT! For secure mounting, follow instructions thoroughly.



- A** Threaded Soap Discharge Head
- B** Above Counter Spacer
- C** Plastic Support Ring
- D** Lock Washer
- E** Nut
- F** Motor Module
- G** Round Soap Refill Bottle
- H** Battery Compartment Base
- I** Battery Compartment Cover
- J** Optional Hexagonal Nut Installation Tool (P/N 774103)

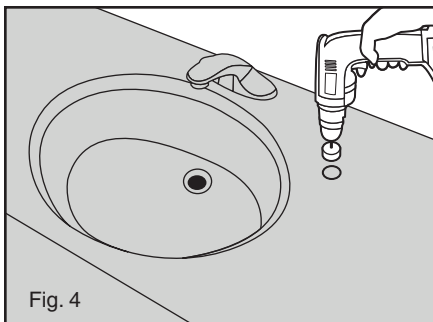
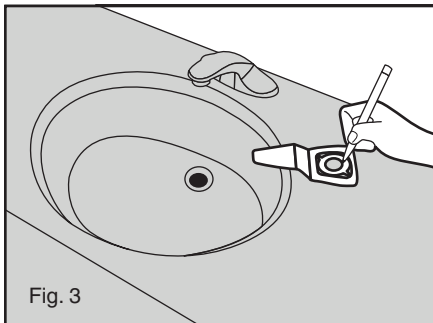
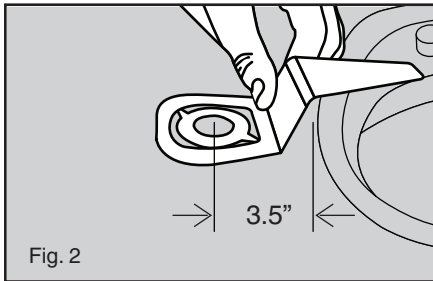
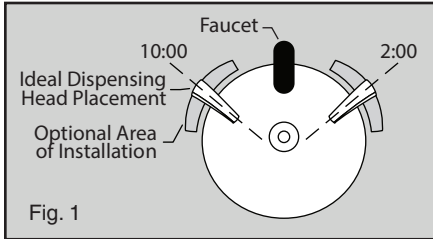


Dispenser Installation

Materials Required:

- Power Driver
- Phillips Bit
- Phillips Screwdriver
- Cutting Fluid
- 1" Diameter Hole Saw (*Diamond Bit for Granite or Stone*)
- Adjustable Wrench
- Clear Silicone Caulk
- Safety Glasses
- Magic Marker

Note: If drilling of the counter top is required, be sure to use an approved KC Installer or other trained professional.



1. If a 1" hole already exists on the counter top, go to step 6.
2. If drilling a new hole, it is recommended the hole be away from the faucet, preferably in the 10 o'clock or 2 o'clock position (see figure 1).
3. Use the plastic template provided to determine the appropriate position from the sink's edge, based on what is under the counter top, the hole should be drilled. Note the maximum dimension from the center of the hole to the edge of the sink is 3.5 inches (see figure 2).
4. Once the location is determined, trace the 1" diameter hole using a marker (see figure 3).
5. Drill a 1" diameter hole in the marked location (see figure 4). Clean the area around the hole so it is free of debris.

IMPORTANT – Use the proper drill bit for your surface and use cutting fluid to cool the bit during drilling.

IMPORTANT – You must use the above counter spacer for small sinks with the hole close to the faucet or sinks with lips higher than 3/4" or the dispenser will not function properly.

If using above counter spacer skip to step 13, otherwise go to step 6.

6. Remove the adhesive liner on the bottom surface of the threaded soap discharge head (see figure 5b).

7. Insert the threaded soap discharge shaft thru the hole in the countertop (see figure 6).
8. Finalize the position of the threaded soap discharge head and then press down firmly to secure it (see figure 7).

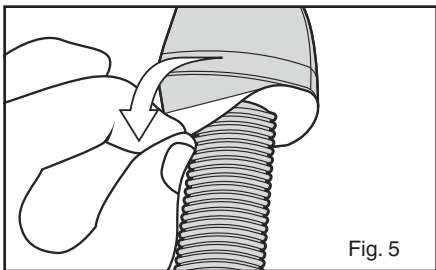


Fig. 5

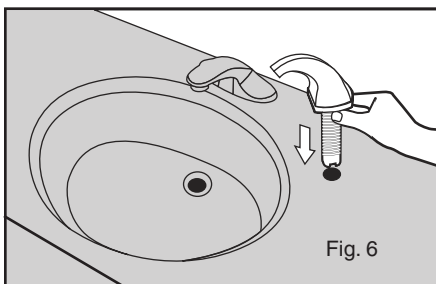


Fig. 6

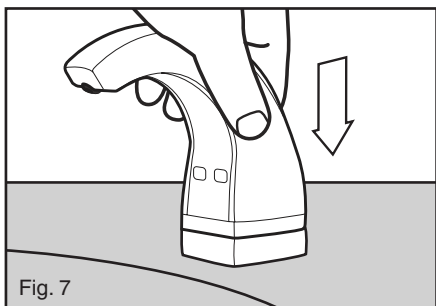


Fig. 7

9. Remove the adhesive liner from the plastic support ring and slide it over the support shaft and push it up until it sticks to the underside of the countertop. (Figure 8)

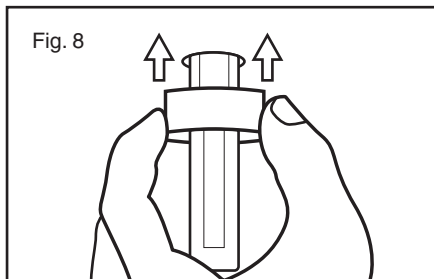


Fig. 8

10. Position the lock washer on the bottom of the threaded soap discharge head. (see figure 9)
11. Thread the nut onto the bottom of the threaded soap discharge head and continue turning until both lock washer and nut are secure to the underside of the plastic support ring. (see figure 10)

Note: Use the optional hex nut installation tool in areas where space is limited. (Spare Part 774103)

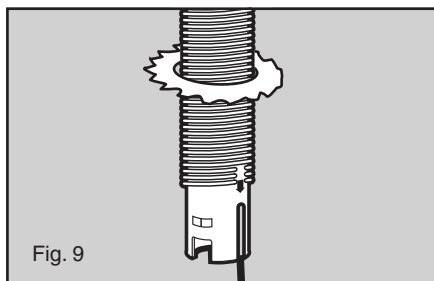


Fig. 9

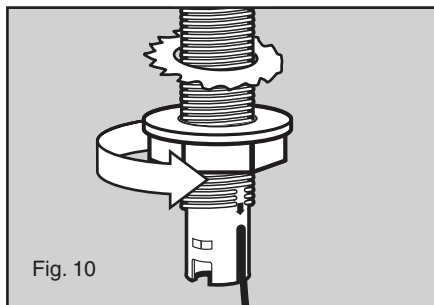


Fig. 10

12. **IMPORTANT** – Apply a bead of clear silicone caulk around the perimeter of the threaded soap discharge head after it is secure to the countertop. (see figure 11).

MOVE TO Step 21

Use the instructions below for installations using the above counter spacer

13. Place the above counter spacer, gasket side down, over the hole in the counter top. Align the spacer so that the flat side faces towards the sink. (see figure 12)
14. Remove the adhesive liner on the bottom surface of the threaded soap discharge head. (see figure 13)
15. Insert the threaded soap discharge shaft through the above counter spacer and hole in countertop. (see figure 14)
16. Align the threaded soap discharge shaft and above counter spacer and press down firmly to secure adhesive. (see figure 15)
17. Remove the adhesive liner from the plastic support ring and slide it over the support shaft and push it up until it sticks to the underside of the countertop while holding the threaded soap discharge shaft and spacer in correct alignment with the sink. (see figure 16)

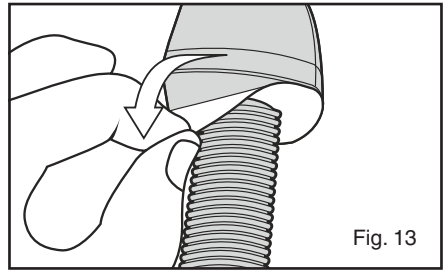


Fig. 13

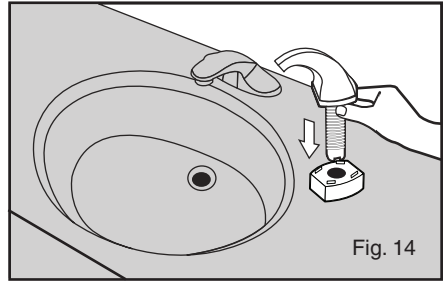


Fig. 14

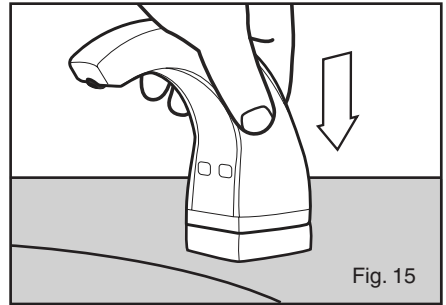


Fig. 15

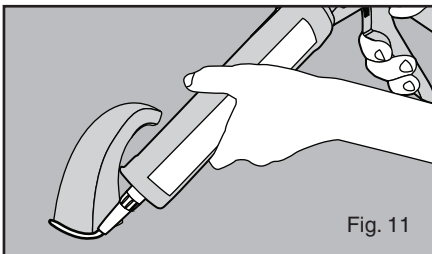


Fig. 11

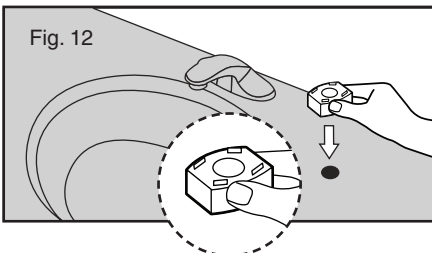


Fig. 12

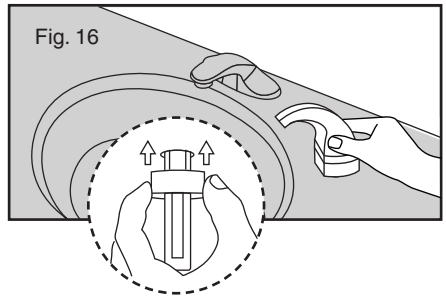


Fig. 16

18. Position the lock washer on the bottom of the threaded soap discharge head (see figure 17)

19. Thread the nut onto the bottom of the threaded soap discharge head and continue turning until both lock washer and nut are secure to the underside of the plastic support ring. (see figure 18)

Note: Use the optional hex nut installation tool in areas where space is limited. (Spare Part 774103)

20. **IMPORTANT** – Apply a bead of clear silicone caulk around the perimeter of the above counter spacer after it is secured to the countertop. (see figure 19)

21. Align the yellow arrow on the signal cable plug with the yellow arrow on the motor module receptacle (see figure 20)

22. Push the signal cable plug into the motor module receptacle. The connection is secured when the yellow arrow on the cable is no longer visible. (see figure 21)

23. Align the orange arrow on the motor module with the orange arrow on the threaded soap discharge head. Push the motor module up until BOTH snaps lock into place. (see figure 22)

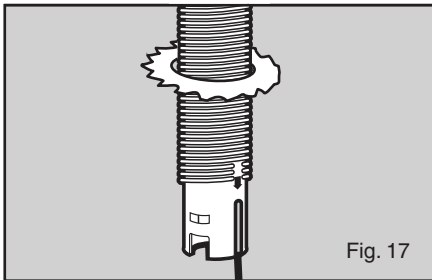


Fig. 17

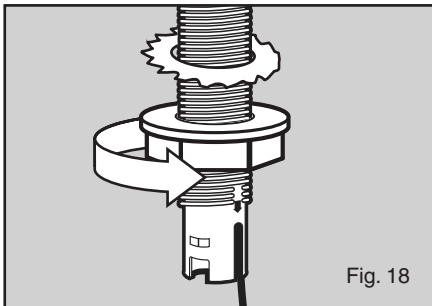


Fig. 18

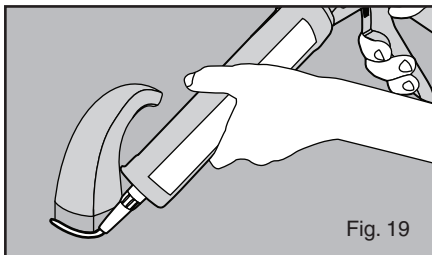


Fig. 19

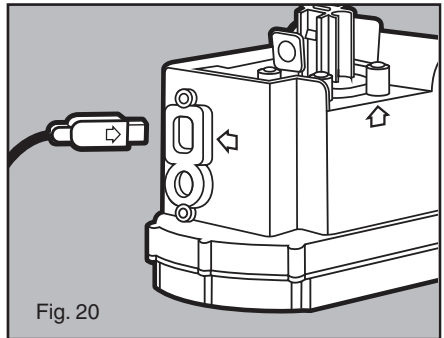


Fig. 20

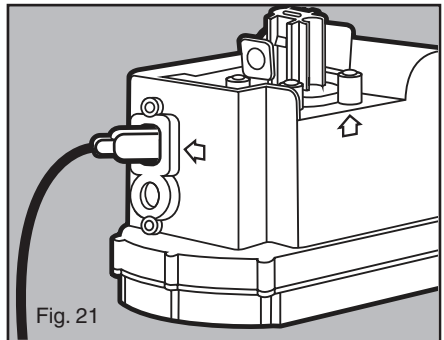


Fig. 21

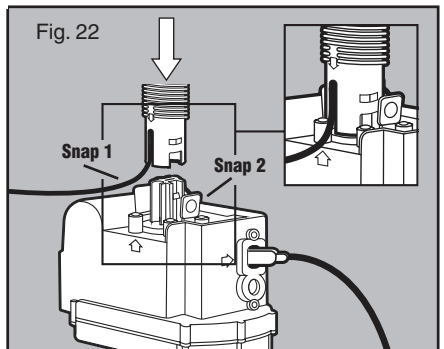


Fig. 22

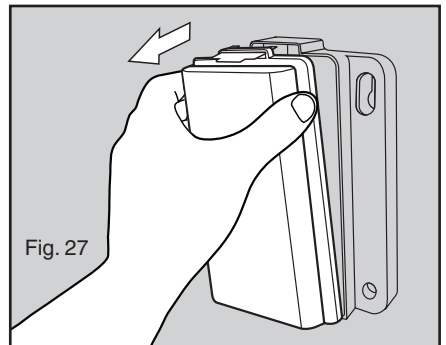
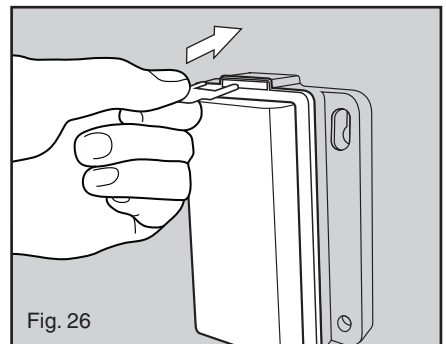
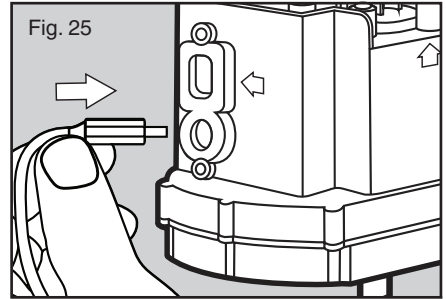
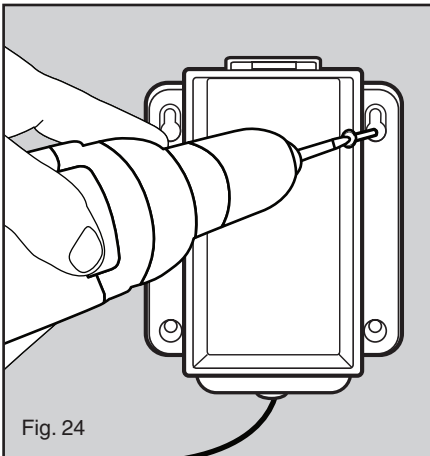
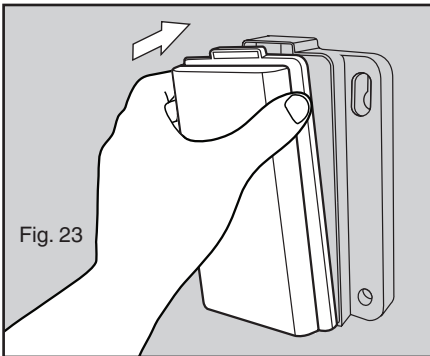
24. Push the battery compartment cover onto the battery compartment base until both the top and bottom of the cover snap into place (see figure 23).

Note: The batteries are already loaded in the battery compartment cover.

25. Install the assembled battery compartment to the back or side wall under the countertop using screws (included) or double sided tape (not included). Position it no further than 32" from the motor module (see figure 24).

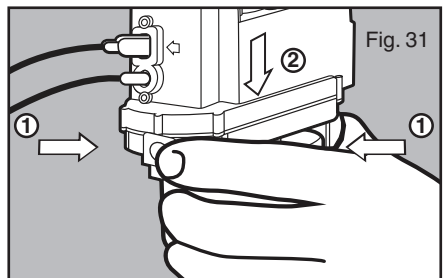
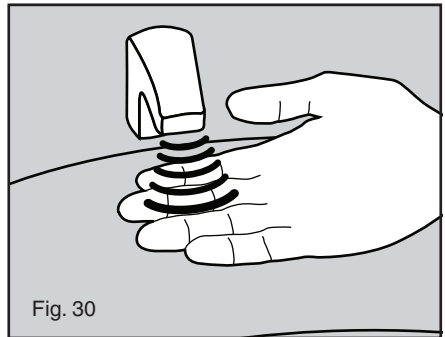
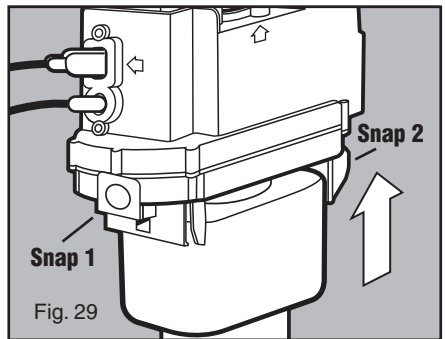
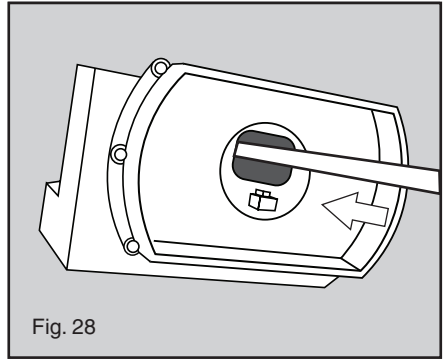
26. Install the power cable plug into the power receptacle on the motor module (see figure 25).

Note: To change batteries, push the key fully into the top of the assembled battery compartment (see figure 26) then grip the battery compartment cover and pull it away from the battery compartment base (see figure 27). Load new batteries and then repeat step 24.



Soap Refill Bottle Installation and Removal

1. Slip the straw into the underside of the motor module (see figure 28).
2. Push the refill bottle flush to the motor module until both snaps are secure (see figure 29).
3. Prime the pump by placing one hand under the soap discharge head to activate the motor. Repeat up to 8 times until a consistent shot of foam soap is discharged (see figure 30).
4. To remove an empty refill bottle, squeeze the release tabs ① on the top of the refill and slide the bottle down ② and out (see figure 31).



User Guide For The Electronic SURETOUCH* Foam Soap System

SMART SHOT* DISPENSING TECHNOLOGY:

When the dispenser is activated after 30 or more minutes of inactivity it will dispense 2 times in rapid succession. This is to provide optimal foam soap quality. This feature is automatic with no user adjustments required.

SENSOR RANGE:

The dispenser allows for sensing range adjustment as follows:

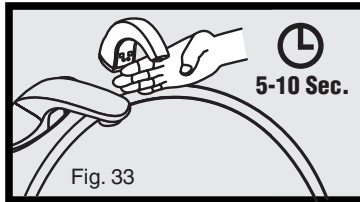
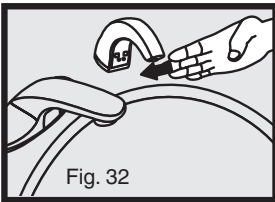
Long Range – Delivers optimum performance and fast response time. (factory pre-set).

Short Range – Delivers optimum performance in situations where inadvertent soap dispensing occurs on the long range setting. An example being when soap dispenser and the faucet are in close proximity.

TO CHANGE THE SENSOR RANGE:

- 1) Remove the refill.
- 2) Place your hand in front of dispenser sensor (see fig 32).
- 3) Hold your hand there between 5 to 10 seconds then remove your hand (see fig 33).
- 4) The dispenser will activate 3 times indicating the range has changed
- 5) Re-install the refill bottle.
- 6) To change the range back, repeat the procedure.

Note: Blocking the dispenser sensor less than 5 or greater than 10 seconds will NOT initiate range change function.



Troubleshooting Guide

Problem	Cause	Correction
Threaded soap discharge head does not fit into countertop.	Hole in countertop too small.	Call your Kimberly Clark representative for assistance selecting the appropriate drill bit spare part.
Threaded soap discharge head still loose after tightening.	Lock washer was not used.	Remove nut, install lock washer and retight nut.
	Nut not tight.	Tighten nut with wrench or spare part 774103.
Signal cable plug from soap threaded discharge head does not fit into receptacle on motor module.	Plug not properly aligned.	Align the yellow arrows and push in plug until secure.
Motor modules does not snap into the threaded soap discharge head.	Motor module not properly aligned.	Align the orange arrows of the support shaft to the motor module.
	Obstruction under the countertop.	Relocate obstruction.
Soap does not dispense when activated.	Pump not primed.	Activate unit for 4 to 5 times to prime the pump.
	Refill discharge tube damaged.	Check refill discharge tube for cuts or kinks. Replace refill if needed.
	Batteries not properly installed.	Check battery alignment.
	Refill is empty.	Replace empty refill with a full one.
	Motor short.	Reboot the dispenser by disconnecting and reconnecting the power.
	Battery compartment cover not snapped closed.	Insure cover is fully closed by firmly pushing on top of cover.

Troubleshooting Guide (continued)

Problem	Cause	Correction
Soap does not dispense when activated. <i>(continued)</i>	Batteries are dead	Replace batteries.
	Signal cable from threaded soap discharge head damaged.	Replace threaded soap discharge head.
	Water contamination on motor module.	Replace motor module. Insure discharge head is properly secured tightly to countertop. Insure to seal the support shaft to the countertop with silicone caulk.
Inadvertent soap dispensing.	Sensor range too long.	Adjust sensor to low.
Soap shot is always liquid instead of foam.	Refill is defective.	Replace refill.
Existing hole in counter not 1".		Call your Kimberly Clark representative for assistance selecting the appropriate drill bit spare part.
After installation dispenser activates twice then stops working.	Lip on sink or other obstacle blocking sensor.	Install spacer (P/N 774104) to raise height of dispenser off the counter.

Americans with Disabilities Act (For use in U.S. only): Title III of the Americans with Disabilities Act (“ADA”) governs, in detail, the placement and operation of dispensers. You should ensure that your mounting and use of dispensers complies with that law as well as the regulations issued under that statute. The mounting suggestions in this document may or may not fulfill the obligations of the ADA with respect to your facility.

Ley de protección de discapacitados (aplicable sólo en EE.UU.). El Artículo III de la Ley de protección de discapacitados, ADA (*Americans with Disabilities Act*) regula en detalle la instalación y el funcionamiento de distribuidoras. Asegúrese que la instalación y las disposiciones de uso de la distribuidora cumplan con esta ley y los reglamentos correspondientes derivados de ella. Es posible que las instrucciones de instalación aquí descritas cumplan o no con las disposiciones de la ADA dependiendo de las características de su construcción.

Loi concernant les Américains handicapés : Le titre III de l’*Americans with Disabilities Act* (« ADA ») (Loi concernant les Américains handicapés) régit, de façon détaillée, l’emplacement et le fonctionnement des boîtes distributrices. Vous devez veiller à ce que votre méthode de pose et d’utilisation des boîtes distributrices soit conforme à la loi, de même qu’aux règlements y afférents. Les suggestions relatives à la pose qui figurent dans le présent document peuvent répondre ou non aux exigences de l’ADA dépendant du type d’installation.

KIMBERLY-CLARK CORPORATION DISCLAIMS LIABILITY FOR PERSONAL INJURIES OR PROPERTY DAMAGES RESULTING FROM INSTALLATION NOT PERFORMED BY KIMBERLY-CLARK.

KIMBERLY-CLARK CORPORATION RECHAZA TODA RESPONSABILIDAD POR LESIONES PERSONALES O DAÑOS Y PERJUICIOS DEBIDOS A INSTALACIONES NO REALIZADAS POR KIMBERLY-CLARK.

KIMBERLY-CLARK CORPORATION DÉCLINE TOUTE RESPONSABILITÉ POUR LES BLESSURES PERSONNELLES OU LES DOMMAGES À LA PROPRIÉTÉ RÉSULTANT D’UNE INSTALLATION N’AYANT PAS ÉTÉ EFFECTUÉE PAR KIMBERLY-CLARK.

KIMBERLY-CLARK CORPORATION HAFDET NICHT FÜR DURCH EINE INSTALLATION ENTSTANDENE PERSONEN- BZW. SACHSCHÄDEN, WENN DIESE VON ANDEREN ALS VON KIMBERLY-CLARK DURCHGEFÜHRT WURDE.

KIMBERLY-CLARK CORPORATION AANVAARDT GEEN AANSPRAKELIJKHEID VOOR LICHAAMELIJK LETSEL OF MATERIEËLE SCHADE DIE VOORTVLOEIT UIT EEN NIET DOOR KIMBERLY-CLARK UITGEVOERDE INSTALLATIE.

KIMBERLY-CLARK CORPORATION ESCLUDE LA PROPRIA RESPONSABILITÀ PER DANNI ALLA PERSONA O A PROPRIETÀ DERIVANTI DA OPERAZIONI DI INSTALLAZIONE NON EFFETTUATE DA KIMBERLY-CLARK.

КОМПАНИЯ KIMBERLY-CLARK CORPORATION СНИМАЕТ С СЕБЯ ОТВЕТСТВЕННОСТЬ ЗА ТЕЛЕСНЫЕ ПОВРЕЖДЕНИЯ ИЛИ УЩЕРБ ИМУЩЕСТВУ, ЯВЛЯЮЩИЕСЯ РЕЗУЛЬТАТОМ УСТАНОВКИ, ВЫПОЛНЕННОЙ НЕ КОМПАНИЕЙ KIMBERLY-CLARK.

A KIMBERLY-CLARK CORPORATION DECLINA QUALQUER RESPONSABILIDADE POR LESÕES PESSOAIS OU DANOS MATERIAIS RESULTANTES DE INSTALAÇÃO NÃO EFETUADA PELA KIMBERLY-CLARK.