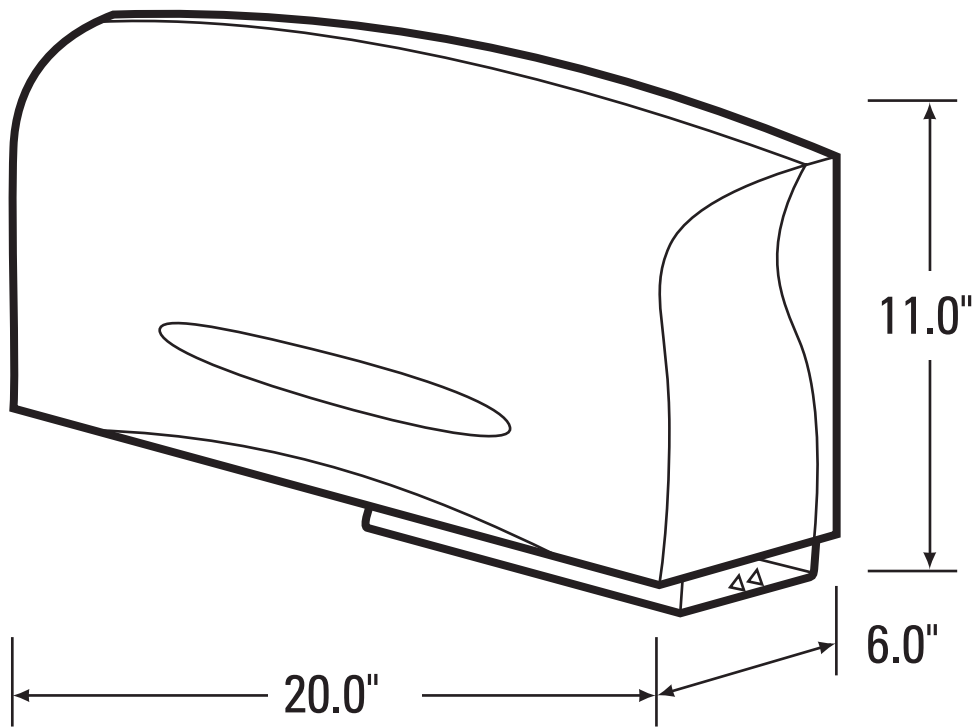


BATH TISSUE *Dispensers*

09609

CORELESS JRT® TWIN DISPENSER

Dispenser is made of white high-impact plastic. Designed to dispense two 9.38" diameter x 3.8" wide tissue rolls. Dispenser holds more than the equivalent, in length, of twelve standard rolls of bath tissue. Sliding door on the bottom prevents usage of one roll until the other is depleted. Dispenser is designed to minimize run-out, waste and maintenance time. Features no door, no key and no core to throw away, and tear-off bars on both sides of the dispenser opening and sliding door. Installs using same mounting bracket and hole location as 09601, 09602 and 09603 dispensers. Dispenser is shipped one per case.

Suggested mounting height is 30".

When installed properly and used with the corresponding product, this dispenser meets the ADA Standards for Accessible Design, local rules may vary.

NOTE: Unless otherwise noted, suggested mounting height is the distance from the floor to the bottom of the dispenser.