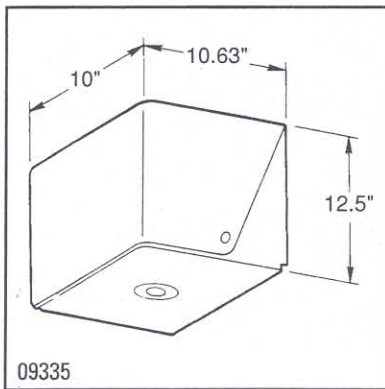


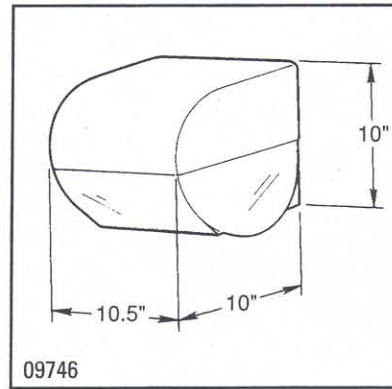
Workstation Systems for New Construction and Renovation.

IN-SIGHT® HAND TOWEL DISPENSERS



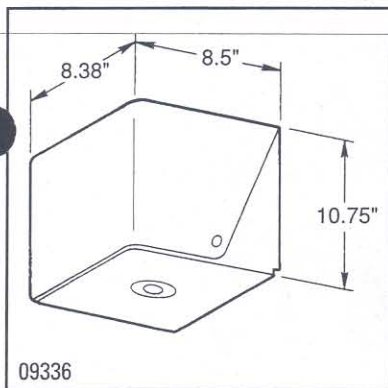
The Protector®

High-impact grey plastic back and smoked transparent cover. Center-flow dispenser holds up to 500 hand towels. No-touch dispensing helps reduce spread of germs and dirt. No moving parts to practically eliminate mechanical failure. Features optional key-locking, adjustable orifice and easy towel-loading design. 1 per case. *Suggested Mounting Height: 52"*



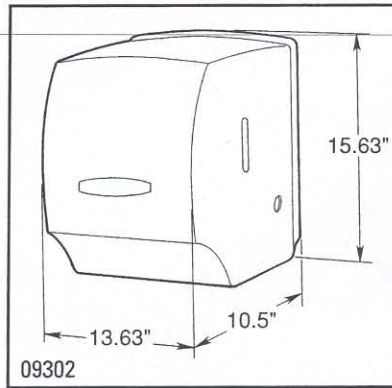
Omni®

High-impact grey plastic with smoked transparent cover. Compact dispenser perfect for areas with limited wall space. Holds one 8" diameter roll. No-touch dispensing helps reduce cross-contamination. Non-restrictive design allows user to take length of sheet desired. Features easy-loading design, locking cover and stainless steel internal parts to resist corrosion. 1 per case. *Suggested Mounting Height: 46"*



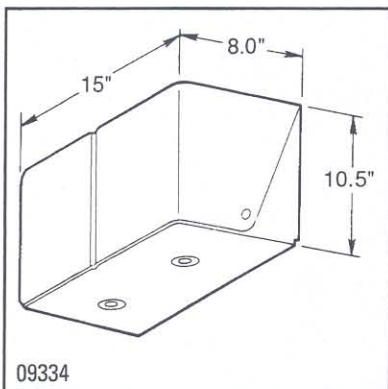
The Protector JR.®

High-impact grey plastic back and smoked transparent cover. Compact center-flow dispenser holds up to 250 hand towels, ideal for tight spaces. No-touch dispensing helps reduce spread of germs and dirt. No moving parts to practically eliminate mechanical failures. Features optional key-locking, adjustable orifice and easy towel-loading design. 1 per case. *Suggested Mounting Height: 52"*



SaniTouch® HACCP Water Resistant

Made of high-impact plastic. Cover has a unique labyrinth seal to repel water during high pressure wash downs and keep towels dry. Dispenser advances and cuts a nominal 13" of towel when activated by pulling exposed towel. No-touch dispensing minimizes spread of dirt and germs. Holds one 8" diameter and one 3.5" diameter roll. Features emergency feed knob, sealed push button cover lock, and safety interlock when cover is open. 1 per case. *Suggested mounting Height: 52"*



The Protector JR.® Twin

High-impact grey plastic back and smoked transparent cover. Center flow dispenser holds 2 rolls of 250 hand towels. No-touch dispensing helps reduce spread of germs and dirt. No moving parts to practically eliminate mechanical failures. Features optional key-locking, adjustable orifice and easy towel-loading design. 1 per case. *Suggested Mounting Height: 52"*

We're only a phone call away.

For more information, or for the name of the Kimberly-Clark distributor nearest you, call our toll-free Customer Help Line.

1-800-241-2739.

 **Kimberly-Clark**

AMERICANS WITH DISABILITIES ACT:

Suggested mounting heights are provided throughout this brochure. You are probably aware, however, that Title III of the Americans with Disabilities Act ("ADA") governs in detail, the placement and operation of dispensers. You should ensure that your mounting and use of dispensers complies with that law as well as the regulations issued under that statute. The mounting suggestions in this brochure may or may not fulfill the obligations of the ADA with respect to your specific facility.

KIMBERLY-CLARK DISCLAIMS LIABILITY FOR PERSONAL INJURY OR PROPERTY DAMAGE RESULTING FROM INSTALLATION NOT PERFORMED BY KIMBERLY-CLARK.

Manufactured for Kimberly-Clark Corporation, Roswell GA 30076.

®Registered Trademarks of Kimberly-Clark Tissue Company. ©1997 Kimberly-Clark Corporation. All Rights Reserved. AFH 440